



ATEE9ASP455LW01

A proven performer

From the mechanically rolled brushed finish on the hood to the 1 million button pushes during testing, you know the outside is as solid and reliable as the inside. Our electronic controls are the most durable on the market. In fact, the controls manufactured for home use are the same controls you'll find in laundromats, hotels, and other commercial applications.



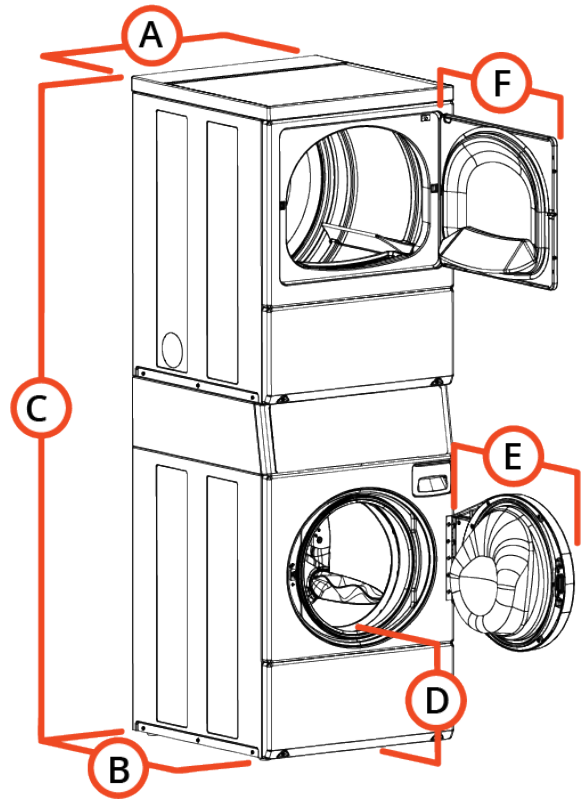
Proven performance - Half the space

When floor space is at a premium, Speed Queen stacked washer/dryers offer the perfect solution. This convenient design allows double the capacity in the space of one machine while sacrificing nothing in performance and wash/dry quality. Designed for ultimate user convenience, these two-in-one space savers also conveniently locate controls for both washer and dryer in the middle of the machine for easy access and operation.

Specifications

Speed Queen Home Retail Stack Washer and Dryer

Model	ATEE9ASP455LW01
General details	
Control	HEC
Control location	Front 10 degree
Actuation	None
Drum	
Capacity kg	10,5 (W) / 10,5 (D)
Volume l	W-96,8/D-198
Drum speed	
G-factor	440
Extraction RPM	1200
Power	
Motor power kW	W-0,67/D-0,25
Voltage	220-240/50/1 (W) 220-240/50/1 (D)
Cabinet	
Cylinder Finish	Stainless / Stainless
Color	White
Door type	W-Window/D-Window
Connections	
Electrical requirements	220-240/50/1 (W) 220-240/50/1 (D)
Gas inlet connection mm	N/A
Water inlet	3/4"
Water Pressure kPa	1,4-8,3
Transport data	
Net weight kg	175
Shipping weight kg	189
Dimensions HxWxD mm	1986 x 683 x 711
Packed dimensions HxWxD mm	2032 x 762 x 864
Packed volume m3	1,34



Dimensions

	mm
A	683
B	711
C	1986
D	371
E	610
F	597